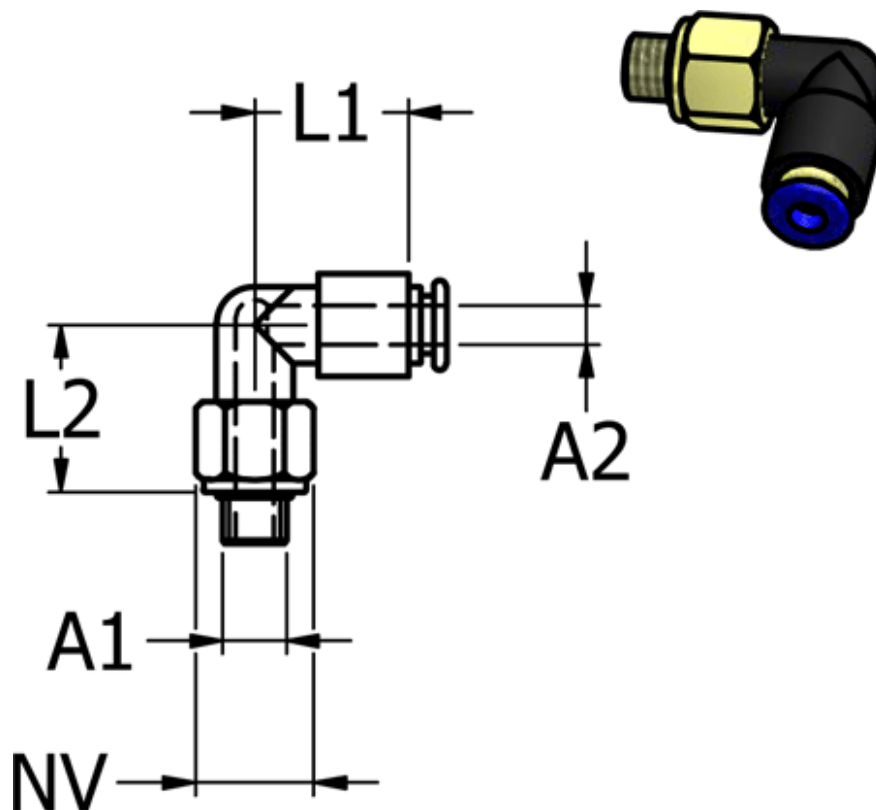


Article number: 586PL34

Description: Mini Push-in PL34, angle, M3 hose  $\varnothing$ 4

## Measures



Ext. hose diameter A2 = 4 mm

L1 = 14

L2 = 17.2

NV = 8

Thread A1 = M3